

Sioux Falls Fire Rescue Lock Box System

All buildings equipped with fire protection systems, including automatic fire sprinklers and fire alarm systems, and all buildings utilized for high-pile combustible storage must have a key lock box installed ([Policy Bulletin—05-03](#)).

Purchasing a Lock Box

Lock Boxes can be ordered through the Knox website at knoxbox.com. For a step-by-step guide, see the [Knox Ordering Guide](#).

Pricing of lock boxes will vary depending on whether they are standard or recessed.

Installing Lock Boxes

New lock boxes must be installed within 20 feet of the front entrance at a height of 6 feet above grade or a location acceptable to the fire code official.

A business must sign a liability release form with Sioux Falls Fire Rescue for each address where a lock box is installed before keys are stored in it. Call 605-367-8093 to get the form.

Locking the Keys in the Box

After installation, call Sioux Falls Fire Rescue to set up an appointment. The keys will be locked in the box during that visit to your business.

Keys stored shall be limited to those that provide access to common areas such as mechanical rooms (including sprinkler riser and fire alarm control panels), electrical service rooms, and elevator key boxes, where installed. Keys shall include those necessary to operate mechanical smoke and heat venting where installed.

- A single master key for all functions is preferred.
- If multiple keys are used, they should be color-coded as follows:
 - Red: Fire Protection
 - Yellow: Electrical
 - Green: Mechanical
 - Blue: Elevator Keys

If locks are switched on a door, call Sioux Falls Fire Rescue. The Fire Department will visit your business, open the lock box, remove the old key, and place the new key in the box.



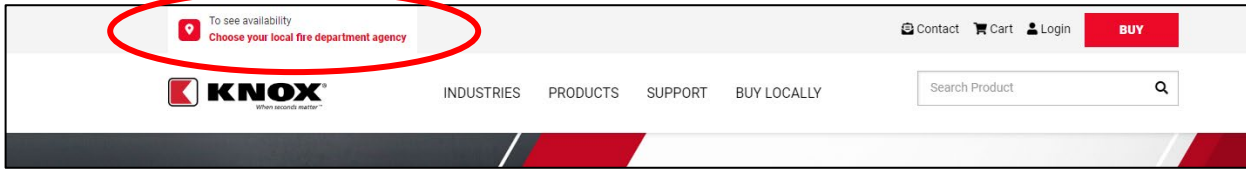
605-367-8093

Knox Ordering Guide

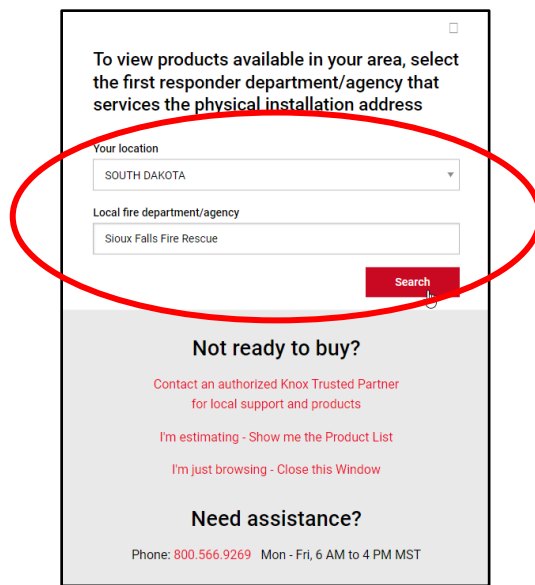
Customer Service: **1-800-566-9269**

Go to Knoxbox.com.

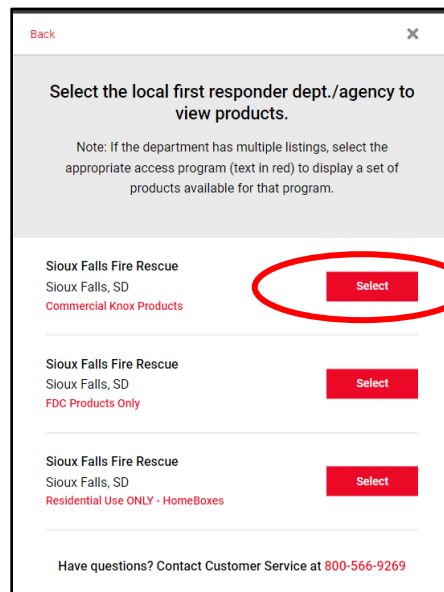
In the upper left corner of the page, click on “choose your local fire department agency.”



On the pop-up window, select your location, enter “Sioux Falls Fire Rescue” for the local fire department/agency, and click “search.”

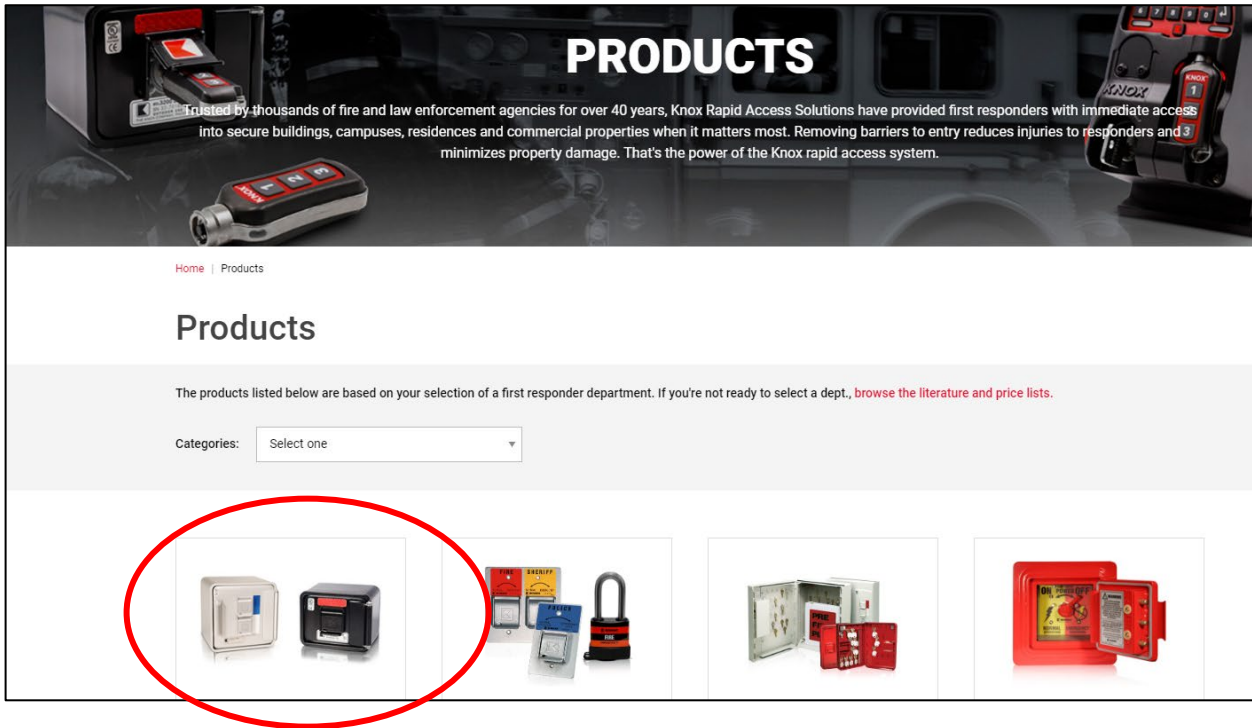


Once you have selected the correct department, you will be brought to this screen:

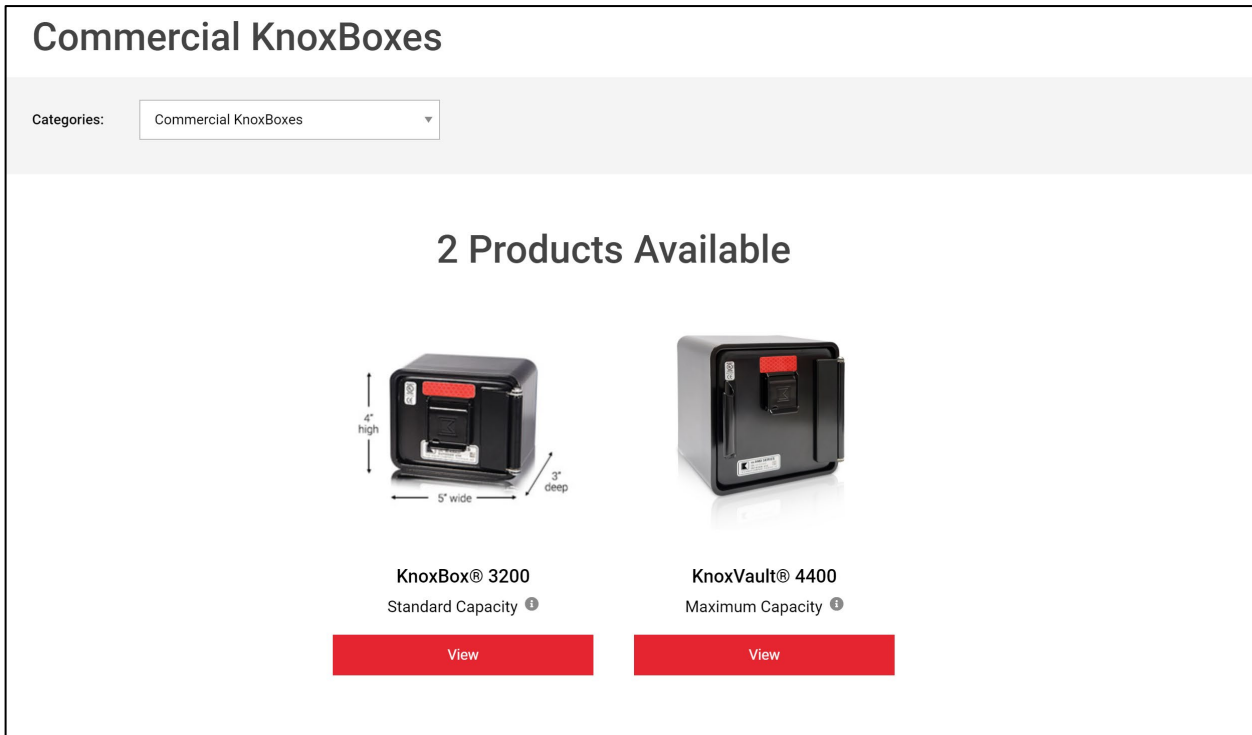


To order commercial boxes, click “select.”

On the next screen, select what style of box you would like to order.



You will have the option to select the 3200 or 4400 series box.



This is where you can select which style of box (recessed or surface mount, and color).

Commercial KnoxBoxes
KnoxBox® 3200
Standard Capacity Model: 3261
MSRP: \$660
Price: \$487

1. Color
 Aluminum
 Black
 Dark Bronze

2. Mount Type
 Recessed Mount
 Surface Mount

3. Tamper Switch Type
 None
 Fire Alarm / Panel
 Security Alarm

For Ordering Support
Call 800.566.0260

Installation Address
The installation address is where this product will be

Make your selection, fill in the installation address information, and submit. Check the box after verifying you have the correct fire department “Sioux Falls Fire Rescue—Sioux Falls, SD”, and add to cart.

Login—fill in “New Customer” section the first time you order and the “Returning Customer” section if you’ve ordered before. Once logged in, go to your cart and verify all order information.

Product	Units	Price	Total
 Model 3261 – KnoxBox 3200, Surface Mount, Hinged Door, Black Model: 3261 Installing to: Sioux Falls Fire Rescue, 2820 S MINNESOTA AVE SIOUX FALLS, SD, United States 57105-4735 1 Sioux Falls Fire Rescue, 2820 S MINNESOTA AVE, SIOUX FALLS, SD, 57105-4735	1	\$487.00	\$487.00

Then scroll down to the bottom of the page, check out, and continue with payment information, shipping preferences, etc.

KnoxBox 3200, the number one high-security key lock box trusted by emergency responders and property owners, is now available with the electronic Knox eLock Core™. Store up to 10 keys to gain rapid access to commercial properties. Box openings are recorded and tracked in the cloud-based KnoxConnect™ Management System.



Available in 3 colors:



FEATURES

- ✓ Stores maximum 10 keys. Access cards and small entry items may also fit in interior compartment but will reduce max key quantity.
- ✓ Knox eLock Core, powered by Knox eKey™
- ✓ Dust cover reflective label for Knox eLock System identification
- ✓ Enables tracking of box openings via cloud-based KnoxConnect™
- ✓ Built Knox-Rugged and secure: UL 1037, UL 1610, UL 1332
- ✓ Finished with Knox-Coat® to protect four times better than standard powder coat
- ✓ Weather-resistant door gasket
- ✓ Knox RainGuard™ provides weather protection
- ✓ Hinged door

BENEFITS

- ✓ No wiring or battery needed for power
- ✓ Captures box openings by date and time
- ✓ Allows rapid property access
- ✓ Reduces property damage
- ✓ Prevents forced entry into buildings
- ✓ Minimizes first responder injury
- ✓ Compliant to National Fire Code (NFPA, IFC, IBC)

OPTIONS

- ✓ Knox Tamper Alert connects to building's alarm system for extra security
- ✓ Mount types: Recessed and Surface
- ✓ 3 color options: Black, Aluminum, Dark Bronze

ACCESSORIES

- ✓ Multi-Purpose Switch for use on electrical doors, gates and other electrical equipment
- ✓ Recess Mounting Kit for new concrete or masonry construction
- ✓ Public Safety Labels
- ✓ Tag-Out Tamper Seals, Key Tags, and Key Rings

ORDERING SPECIFICATIONS

To insure procurement and delivery of the Electronic KnoxBox 3200, it is suggested that following specification paragraph is used:

KnoxBox surface/recessed mount with hinged door, with/without UL Listed Knox Tamper Alert. 1/4" plate steel housing, 1/2" thick steel door with interior gasket seal and stainless steel door hinge. Box is UL Listed. Lock has 1/8" thick stainless steel dust cover with tamper seal mounting capability, a rainguard to protect against certain weather conditions and a reflective Knox label indicating the Knox eLock System.

Exterior Dimensions: Surface Mount Body - 4" H x 5" W x 3-7/8" D
Recessed Mount Flange - 7" H x 7" W

Electronic Lock: Powered by Knox eKey. Communicates using industry standard encryption.

Finish: Knox-Coat proprietary finishing process

Color: Black, Dark Bronze or Aluminum

P/N: KnoxBox KLS-3200 (mfr's cat. ID)

Mfr's Name: KNOX COMPANY



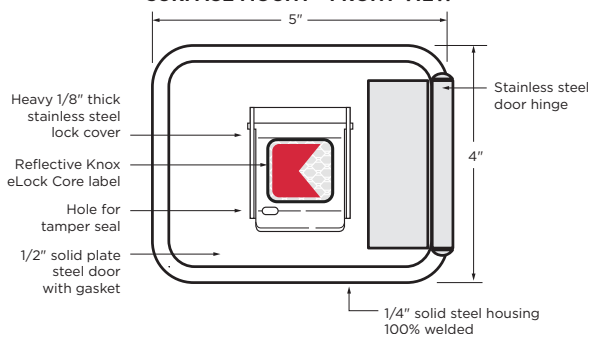
WEIGHT:

Surface Mount - 8 lbs.
Recessed Mount - 9 lbs.

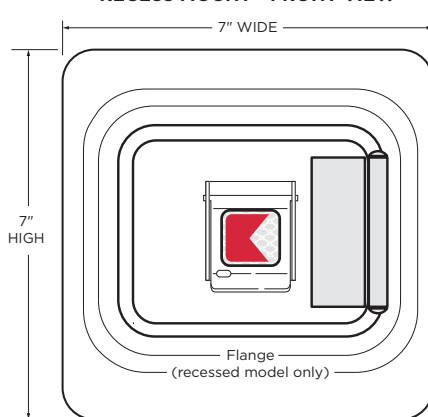
DIMENSIONS:

Surface Mount Body - 4" H x 5" W x 3-7/8" D
Recessed Mount Flange - 7" H x 7" W

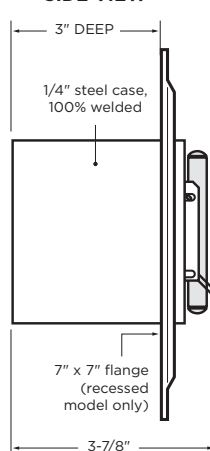
SURFACE MOUNT - FRONT VIEW



RECESS MOUNT - FRONT VIEW



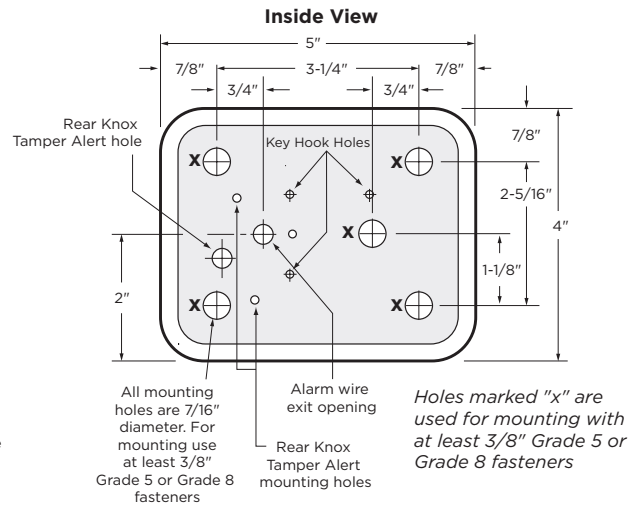
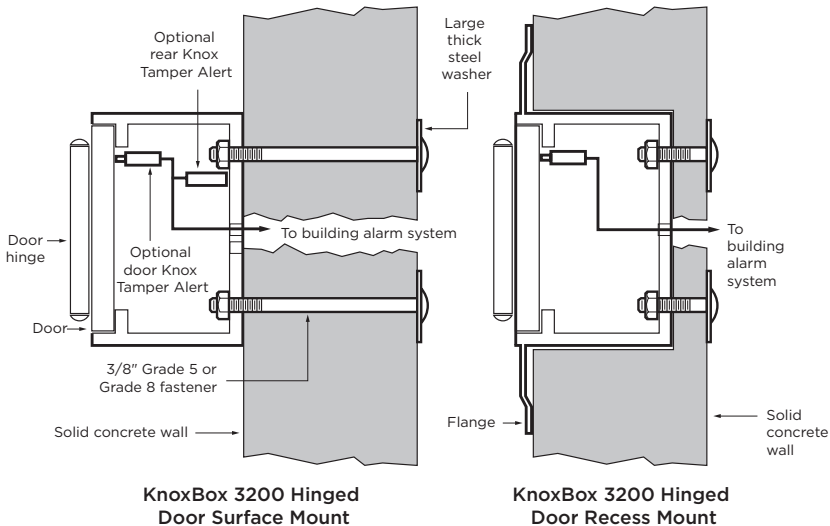
SIDE VIEW



GENERAL MOUNTING INSTRUCTIONS

Suggested minimum mounting height, 6 feet above ground.

ATTENTION: KnoxBox is a very strong device that **MUST** be mounted properly to ensure maximum security and resist physical attack.



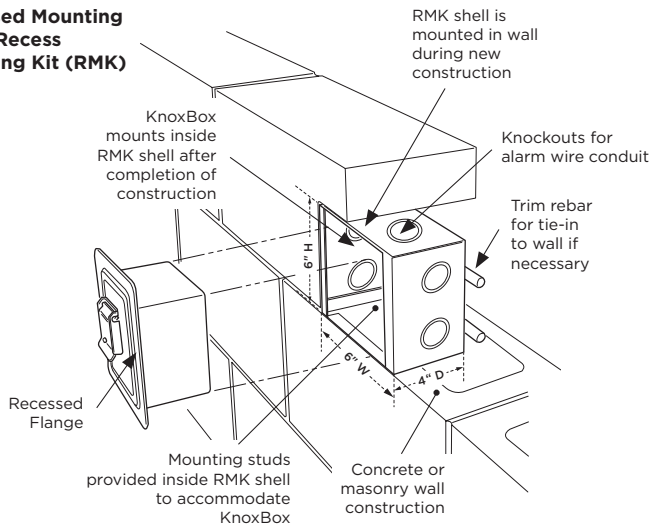
RECESS MOUNTING KIT AND INSTALLATION INSTRUCTIONS

The Recess Mounting Kit (RMK) includes shell housing and mounting hardware, which may only be used for recessed models to cast-in-place within new concrete or masonry construction. The KnoxBox is mounted into the shell housing after construction is completed.

RECESS MOUNTING KIT DIMENSIONS

Rough-in Dimensions:
6-1/2" H x 6-1/2" W x 5" D

Recessed Mounting Using Recess Mounting Kit (RMK)



IMPORTANT:

Care should be taken to ensure the front of the Recess Mounting Kit (RMK) shell housing, including the cover plate and screw heads, is flush with the wall. The RMK must be plumbed to ensure vertical alignment of the box.

ABOUT KNOX COMPANY

Over forty years ago, a unique concept in rapid access for emergency response was born. The KnoxBox®, a high-security key lock box, was designed to provide rapid access for emergency responders to reduce response times, minimize injuries and protect property from forced entry.

Today, one revolutionary lock box has grown into a complete system providing rapid access for public safety agencies, industries, military, and property owners across the world. The Knox Company is trusted by over 14,000 fire departments, law enforcement agencies, and governmental entities.

KNOX COMPANY
1601 W. DEER VALLEY RD
PHOENIX, AZ 85027

T. 800.552.5669

F. 623.687.2290

KNOXBOX.COM
INFO@KNOXBOX.COM